

8

7

6

5

4

3

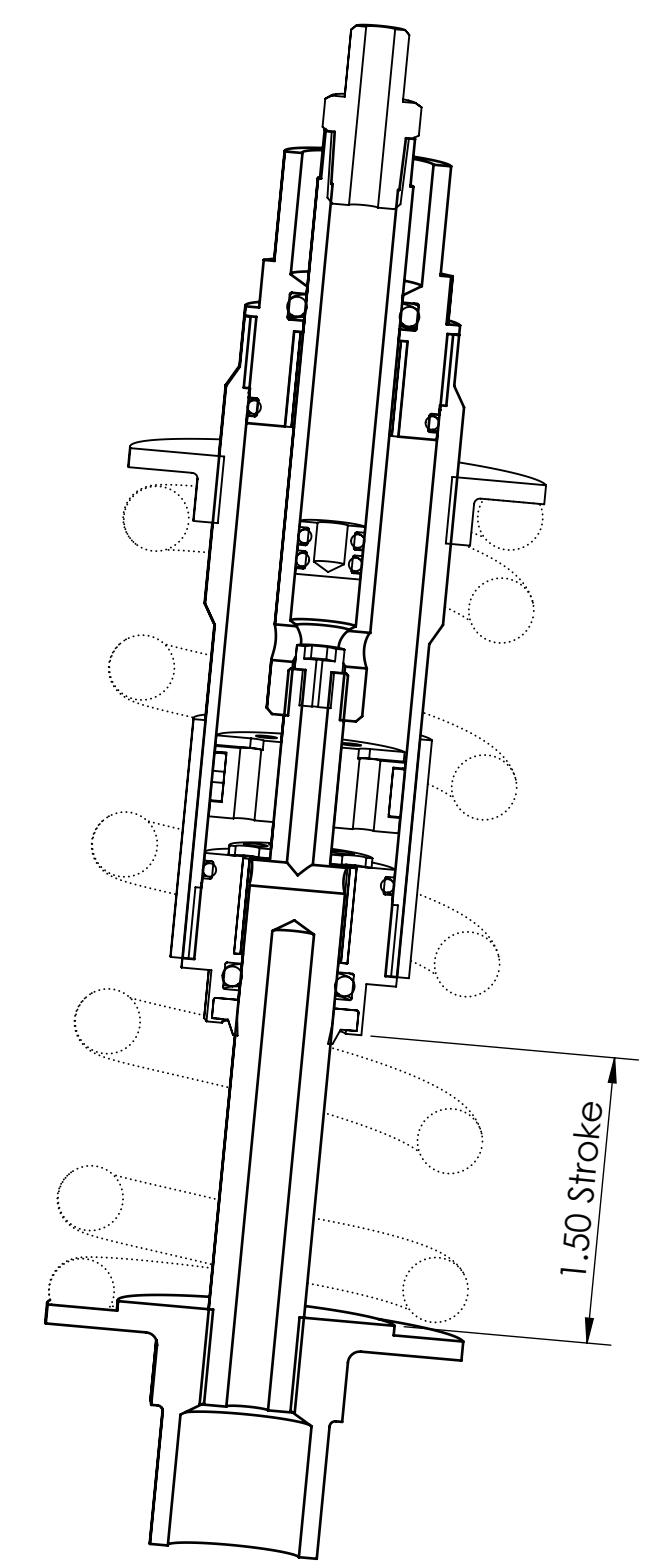
2

1

**Student Designed/Machined  
Thru Shaft Dampers**

(Section View)

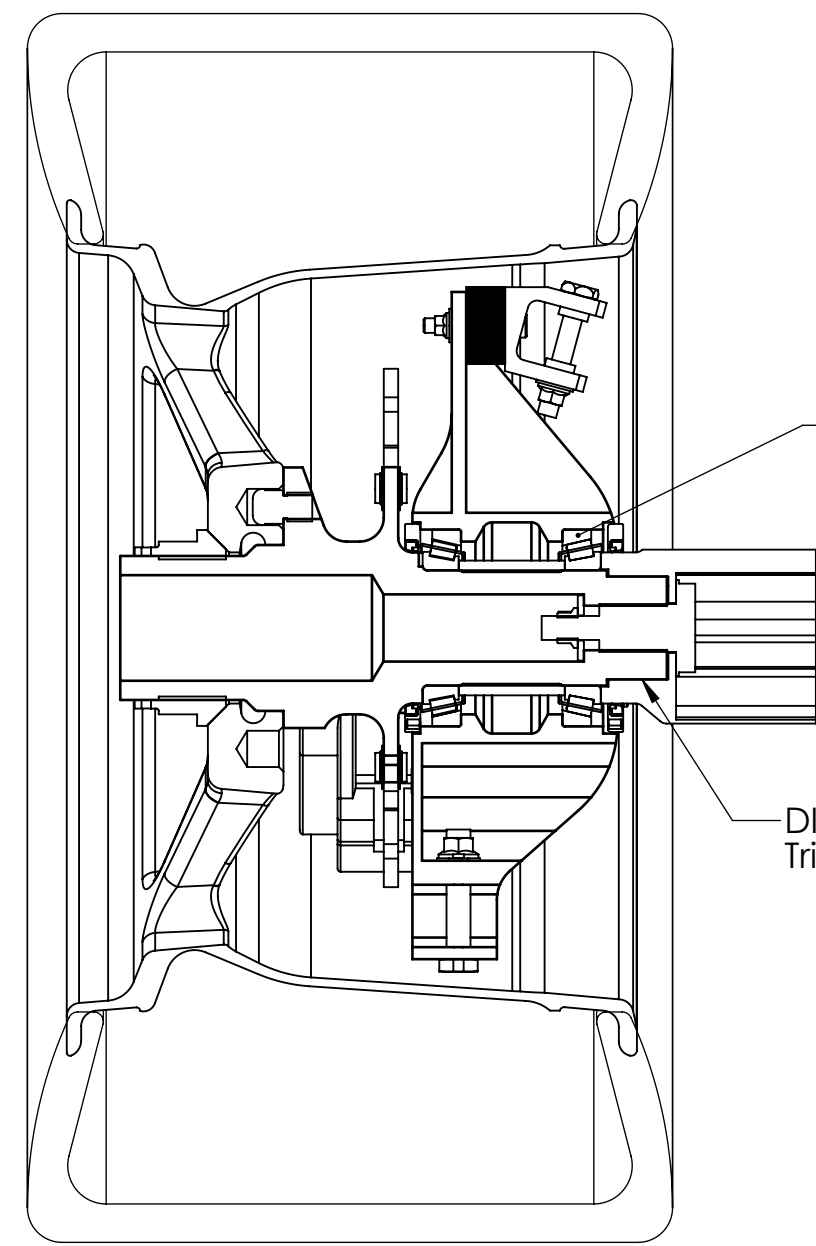
Scale 1:1



**Rear Corner Package  
Assembly**

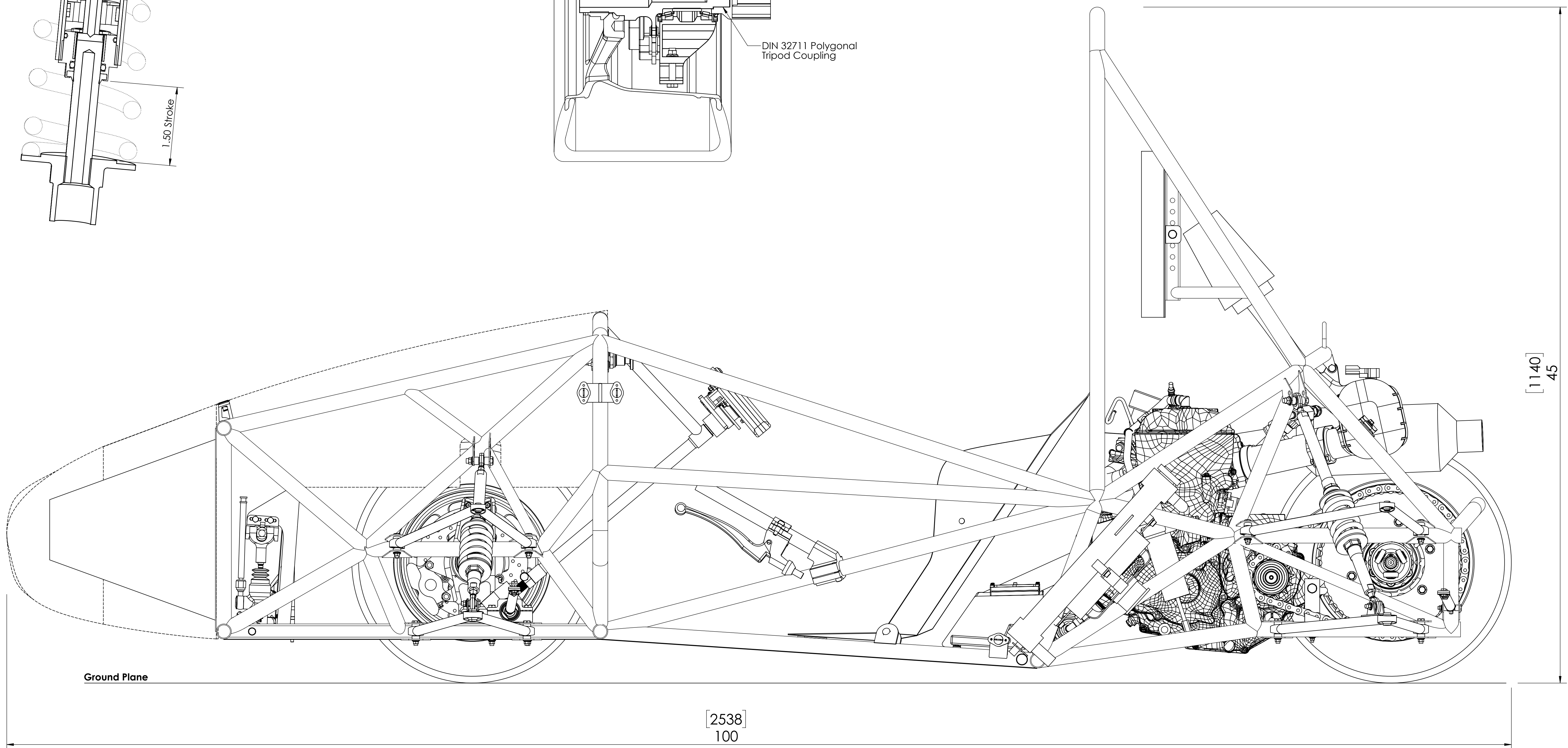
(Section View)

Scale 1:2.5



2x Timken 13889-13836  
Tapered Roller Bearings  
Klüber NBU 15 Grease

DIN 32711 Polygonal  
Tripod Coupling



**Notes:**

1. Some components removed or sectioned for visual clarity
2. Line weights altered for visual clarity
3. Reference dimensions in inches [mm]
4. Drawn by: D. Haruch 04-24-2022

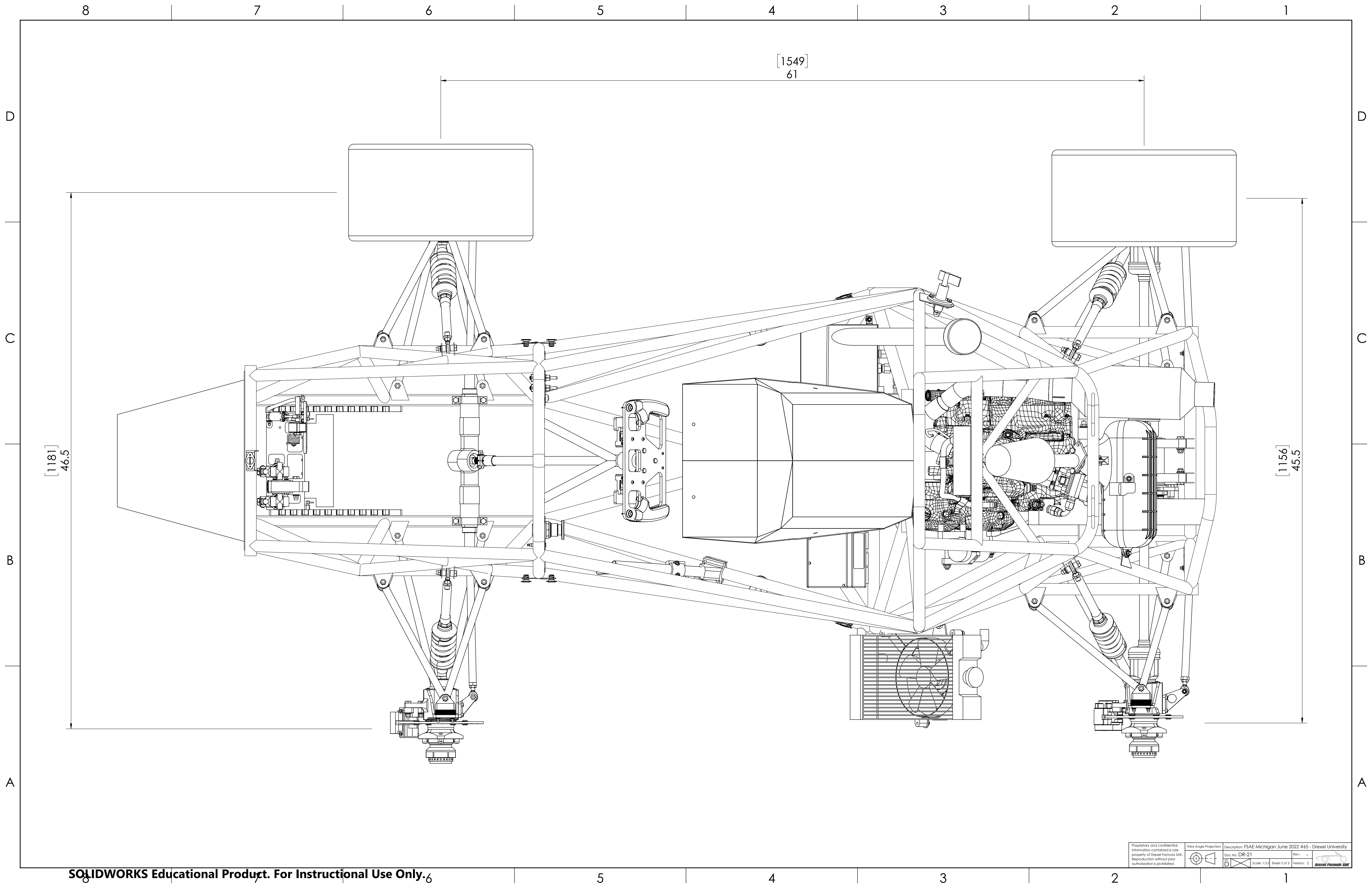
5

4

3

2

1



[1549]  
61

[1181]  
46.5

[1156]  
45.5

8

7

6

5

4

3

2

1

D

D

C

C

B

B

A

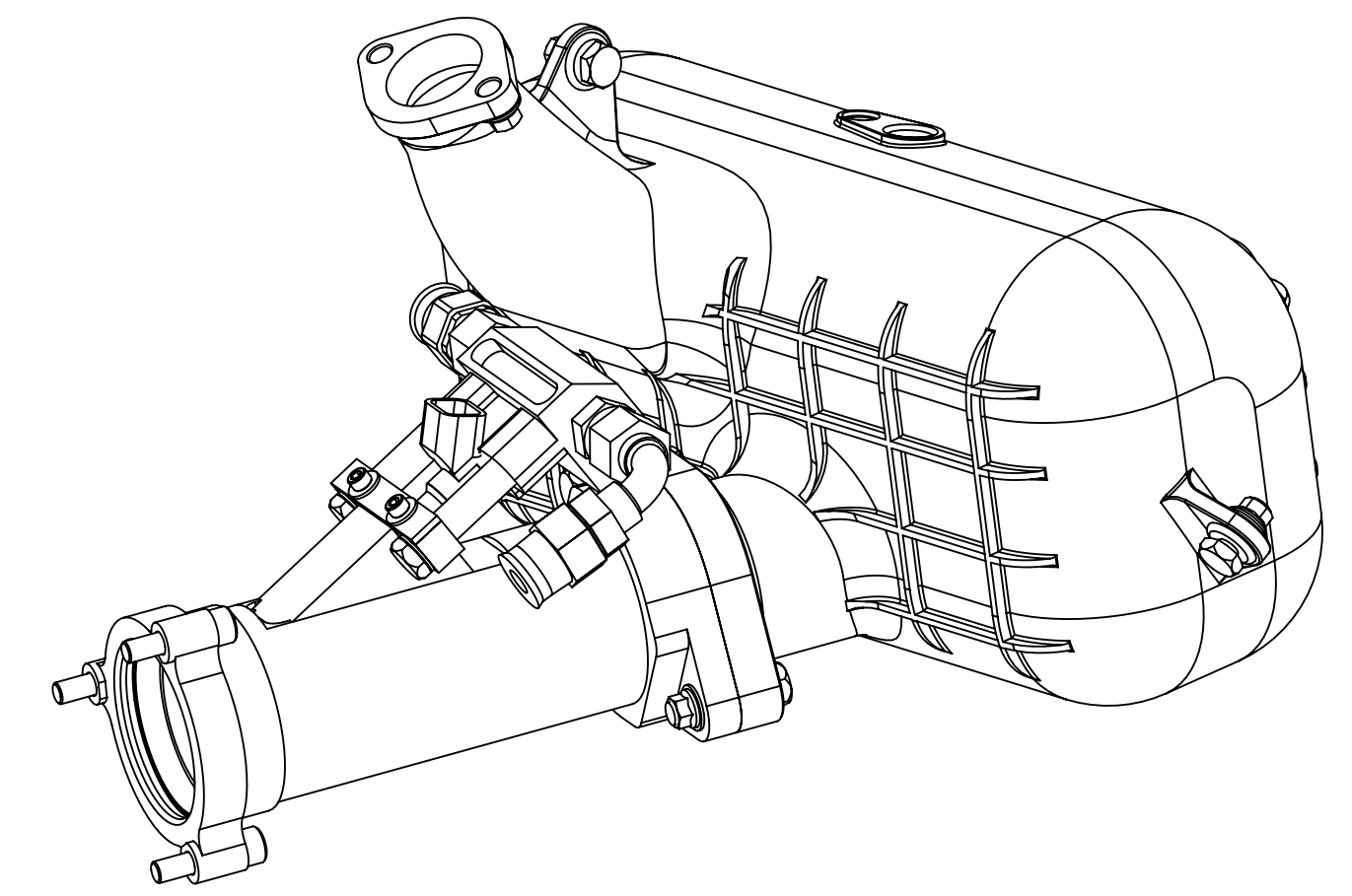
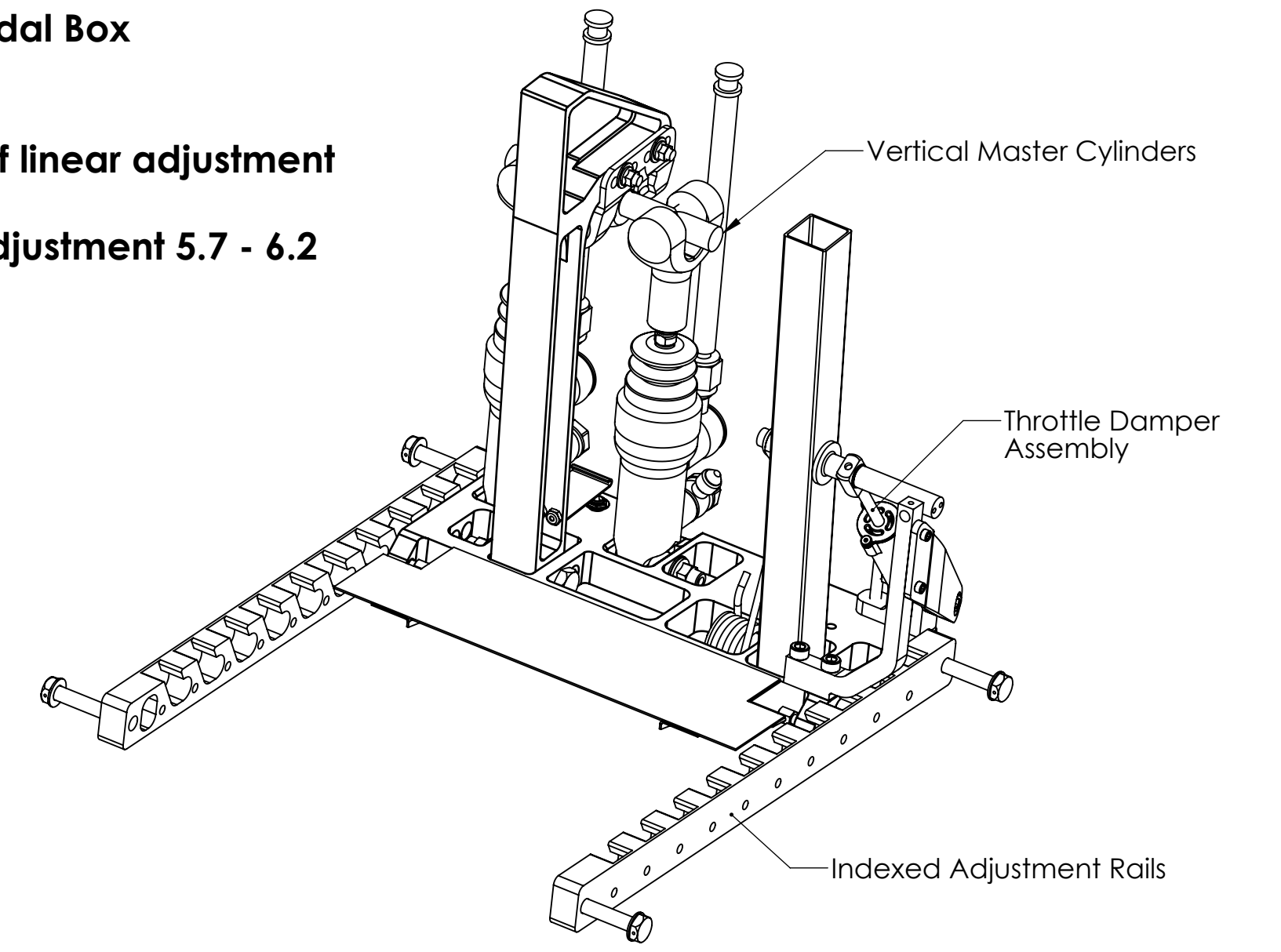
A

**Adjustable Pedal Box Assembly**

**7in [178mm] of linear adjustment**

**Pedal Ratio Adjustment 5.7 - 6.2**

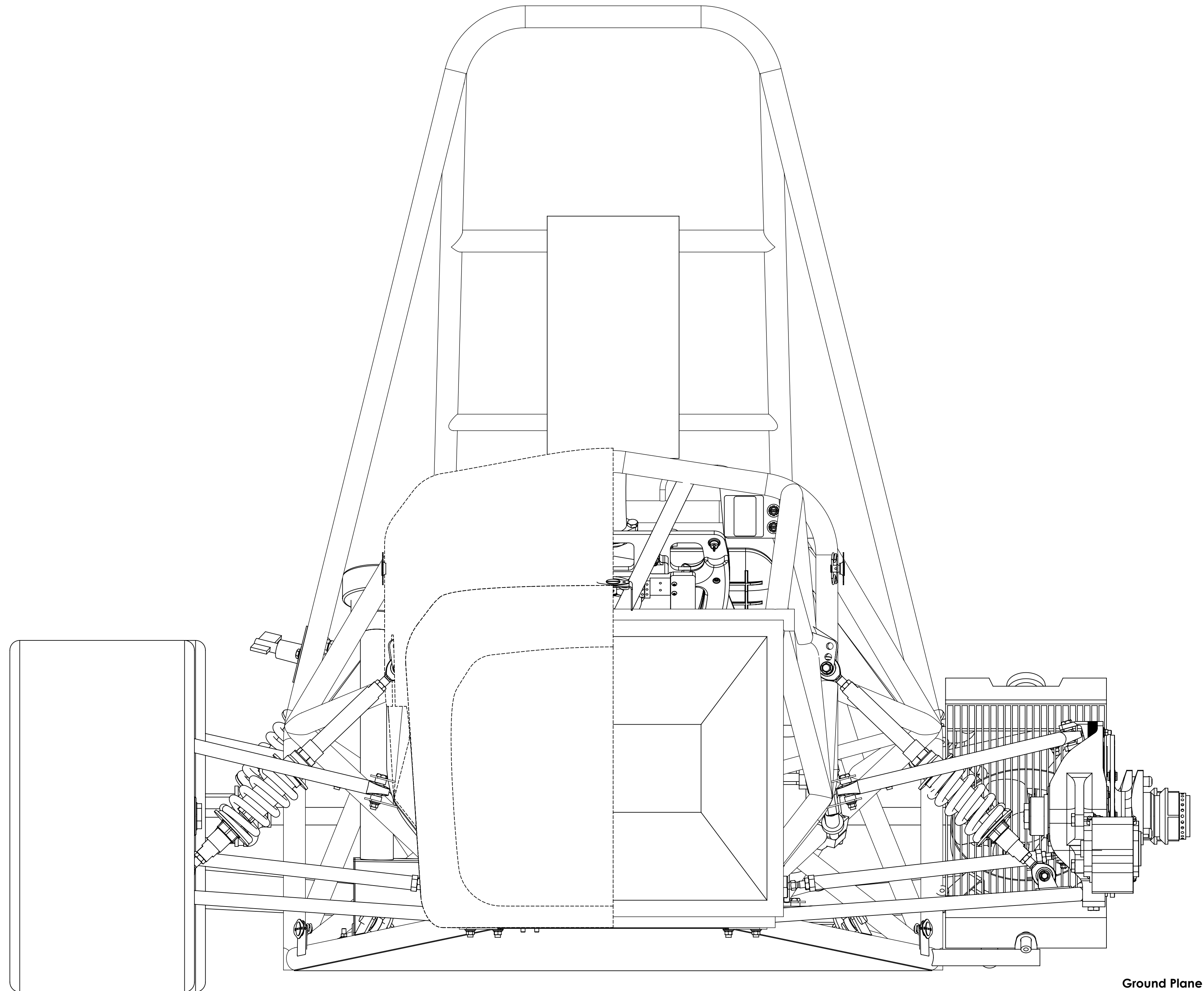
**Scale 1:2.5**



**Intake Assembly**

**3.1L SLS 3D Printed Nylon Plenum**

**Scale 1:2**



[1396.55]

Ground Plane

5

4

3

2

1